



KESSEBÖHMER
CLEVER STORAGE



BRIGHT IDEAS
FOR BEAUTIFUL KITCHENS.

Slazak
KITCHEN COMPONENTS
by
asianpaints

CONVOY Lavidò

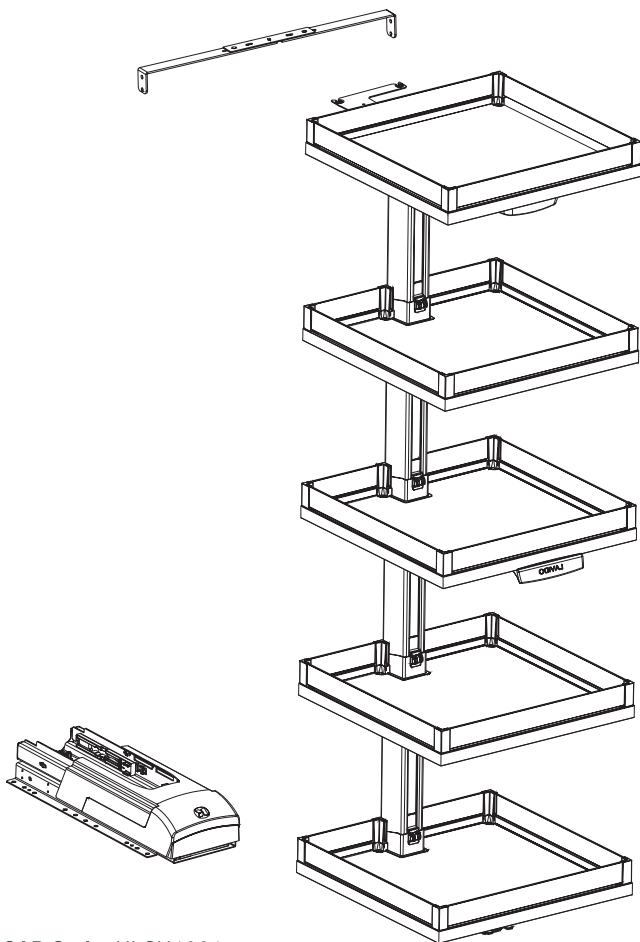
EXTREMELY FLEXIBLE AND VERY GOOD LOOKING



Free access to contents from three sides and stepless height-adjustable trays. The ideal pull-out behind sliding or hinged doors. Perfect storage for everyday use.

FEATURES AND BENEFITS:

- For carcass width of 600mm
- Accessibility from 3 sides, within easy reach
- Clear visibility of contents
- Cantilever floating trays design
- Stores groceries of entire month
- Easy, step less height adjustment for the trays – no tools required
- Smooth Runner System – advanced Soft close mechanism
- Anti-Slip coating on trays



SAP Code: HLCH1891
MRP: ₹ 104,468
Packaging Part 1
Frame CONVOY Lavidio

Inside cabinet height (mm)	proposed number of trays
2,000–2,100	5

Packaging Part 2
Set CONVOY Lavidio

5 shelves, 5 accessory boxes, 1 stabilisation bar,
 1 handle, 1 support angle
 Gallery bright chrome, bottom ice white with anti-slip coating

inside cabinet width (mm)	cabinet width (mm)
562	600

Packaging Part 3
Runner CONVOY Lavidio

with premounted SoftSTOPPro

Your Benefit:

- Storage solution for different front options and applications
- Can be combined with sliding doors, etc.
- Access and transparency from three sides

CONVOY Lavidio is a versatile solution in many situations, apart from the kitchen.





reddot design award

LeMans II SWINGS THE CONTENTS OUT IN FRONT

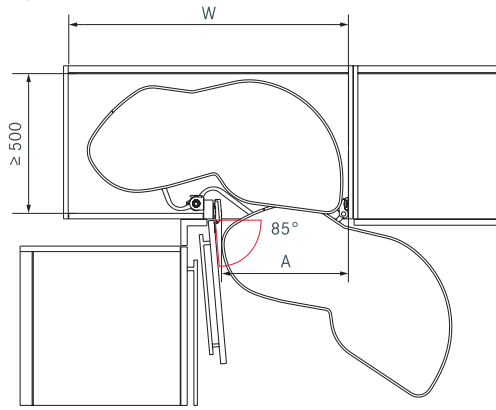
FEATURES AND BENEFITS:

- For carcass widths 900 and 1000 mm
- High space utilization with outstanding access
- Controlled and perfectly fluid sequence of movements
- 25 kg weight bearing capacity – plenty of room, even for heavy weights
- Adjust height of trays whenever you want during day-to-day use
- Anti-Slip coating for noiseless use
- Door opening angle of just 85° allows trays to swing completely out

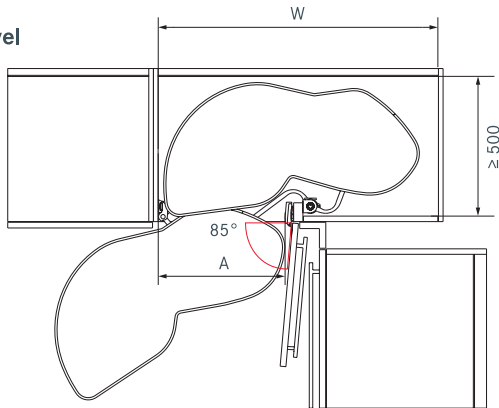
A fascinating corner unit fitting with trays that can be swung out individually and completely in a bewitching movement sequence. Winner of a Red Dot Award.



right swivel



left swivel



Standard with:



ARENAplus
anti-slip finish

Your Benefit:

- Swinging curves: Fluid, emotion-laden, harmonious action
- Kinematics with 4 pivot points: Minimal force required for silky-smooth movements
- All stored contents swing out in front of the unit
- Easy height changes: The unit adapts to the contents
- Trays move independently
- Solid support arms: 25 kilo payload
- Fully functional at 85° door opening angle: Flexible planning options; No risk of handles colliding
- Multiple interfaces for the assembly process: Easy to integrate in existing production processes

LeMans II – the most elegant and effective way of designing a corner unit

Set ARENA style

All components in anthracite; trays ARENA style: gallery bright chrome, bottom anthracite with anti-slip coating

Alignment

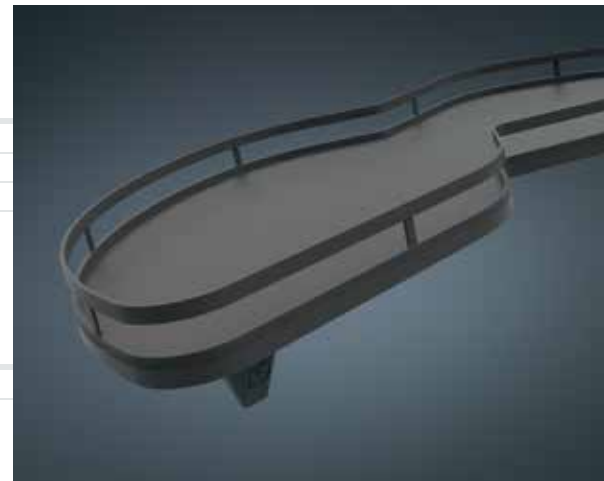
		cabinet width (W) ≙ 450 mm	
	number of trays	SAP codes	MRP
right swivel	2	HLCH1892	₹33 154
left swivel	2	HLCH1962	₹33 154

Axle tube ARENA style

incl. M-profile for side fitting, 1 pc

inside cabinet height (mm)

600–750



SMALL DIMENSIONS – EXTRA CONVENIENCE COMFORT II

The starting point for ultra-efficient organization and easy access under the worktop. The attractive, full-extension pull-out lets you see the contents at a glance and fetch out what you want from the side and from above.

FEATURES AND BENEFITS:

- For carcass widths of 250 mm
- Optimal adaptation to user needs thanks to choice of different unit heights
- Choose left or right accessibility depending on your preference
- Entire contents slide out in front of the cabinet
- Optimal format for specialized uses, e.g: Wine cabinet, Coffee center...
- 3D adjustment



Your Benefit:

- The “small” storage unit
- Optimal adaptation to user needs thanks to choice of different unit heights
- Full extension for base units: Entire contents slide out in front of the cabinet; Optimal overview, very good access
- Optimal format for specialised uses, eg: Wine cabinet, Coffee centre, Storage unit
- Space-saving design: Uses the whole width
- Balancing screw for optimal action
- 3D adjustment in real time: Perfect gap alignment in minutes

COMFORT II – larder unit for small kitchens

Frame Set ARENA style

All components in anthracite

inside cabinet height (mm) left version

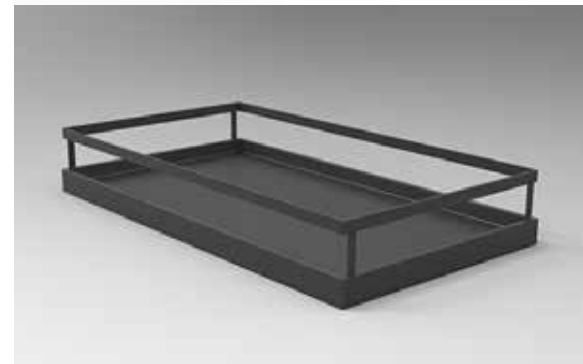
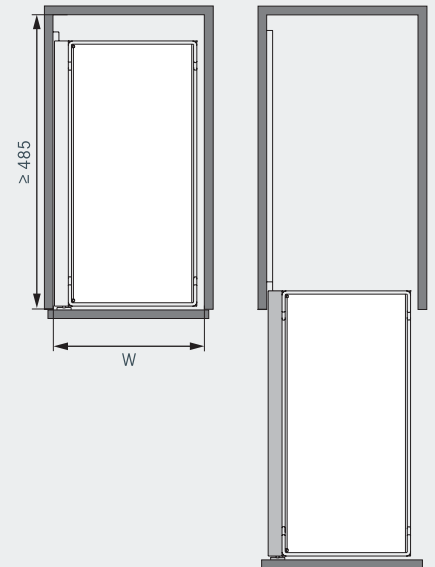
	SAP codes	MRP
Frame ≥ 590	HLCH1945	₹19081

inside cabinet height (mm) right version

	SAP codes	MRP
Frame ≥ 590	HLCH1969	₹19081

Frame sets components complete with 2x runner, frame, 2x front brackets and damping system Max. load capacity of the frame = 24 kg

right version shown



DISPENSA junior III

UNLIMITED CUSTOMIZING

 KESSEBÖHMER

Classic trays can be combined with the new Youboxxes to create a personal, customized organizer system. The practical benefits are huge. You could, for example, store upright packages, bottles or tins on a tray, while a Youboxx level accommodates the smaller items, loose foodstuffs and/or kitchen tools. The potential to mix and match these two storage options opens up completely new vistas for organizing your kitchen storage space.

The containers on the Youboxx traverse rail can be rearranged at any time, for example, by moving them to the right or left side of the cabinet, which of course is accessible from two sides. The height of the trays and Youboxx rails can be changed separately and they can be rearranged and even interchanged at any time. The new DISPENSA junior III is designed to give users the greatest possible scope in terms of individuality and flexibility.

More than one DISPENSA or DISPENSA junior III adjacent to each other also let you swap trays and Youboxxes between different cabinets as you choose.



CLEANING AGENT PORTERO WITH PRACTICAL CARRY BASKET

 KESSEBÖHMER

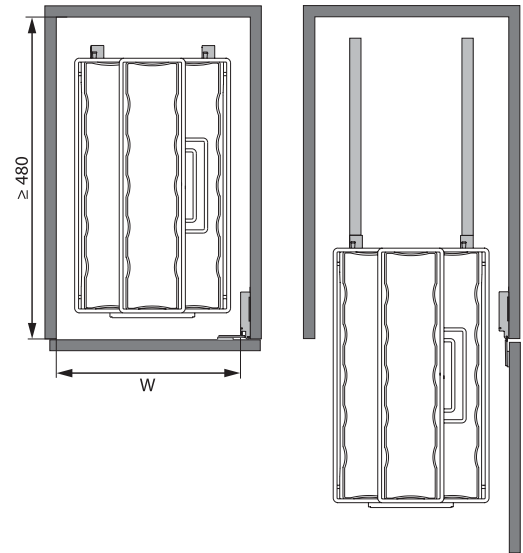


All cleaning agents in one pull-out. The top basket swings aside for better access to lower baskets. Special feature: the integrated 'service station' that can be lifted out and taken along. Choice of three sizes. The plastic base trays are dishwasher safe and can be removed for cleaning.

Your Benefit:

- All cleaning agents in a lift-out basket in a pull-out unit
- Top tray swivels aside
- Lift-out service station
- Removable washing-machine-safe plastic trays

PORTERO – makes cleaning that much easier!



PORTERO Set ii

All components bright chrome/silver

inside cabinet height (mm)	number of baskets	cabinet opening 300 mm	
		SAP code	MRP
≥ 400	2	HLCH1948	₹18960

1 portable basket and 1 basket without handle





WELL-ORGANISED FOR GOOD COOKING: cookingAGENT.

— KESSEBÖHMER —

It's the modular design that makes a cookingAGENT so versatile and flexible. Users choose the elements they want – and how to organise them. cookingAGENT has space for everything – spices, oils and sauces, chopping boards, knives, even plates and bowls. It's every cook's dream – everything you

need is right where you need it as you cook. cookingAGENT is a true full-extension pull-out that moves all the contents completely out in front of the cabinet. What could be better?

interior
innovation
award

Winner

Streamlined wire surround,
one-piece base

Modular design.
Arrange and change elements.

All plastic elements dishwasher safe
and detachable for easy cleaning.



Standard with:



cookingAGENT
Set consists of:

- 1 system carrier for bottom mounting
- 3 lift-out metal baskets
- 5 lift-out plastic containers
- 1 handle (for inside pull-out)
- 8 dividers
- 1 accessory bag mounting plate
- 1 accessory bag front connectors (for pull-out front panel)

Pull-out, bottom-mounted

Dimensions (mm) **SAP Code** **MRP**

BxDxH

260 x 489 x 625

HLCH1893

₹15357





Your Benefit:

- Fitting for storing ingredients and cooking utensils
- Modular design/positioning of the elements variable
- All plastic elements are removable and washable (dishwasher safe)
- Contents kept safe thanks to stable storage system

iMove · Single Tray

Installation situation

Dimensions (mm)	Hinged door	Hinged door	FREEfold
Hinge protrusion	< 25	< 25	–
Installation height, hinge	65	65	–
Installation depth, iMove	57	57	82
Installation height, iMove	25	80	25
*Carcass heights vary with the individual installation situations.			
Clear inside depth, carcass	270	270	295
Minimum height, carcass*	520	580	650



iMove set single tray

Including fixings:

8 x wood screws 4.5 x 50 mm

1 x drilling template

including side cover caps



Carcass width (mm)	Clear inside carcass width (mm)	Dimensions (mm)	SAP Code B x D x H	MRP
600	562-568	565 x 267 x 380	HLCH 1933	₹20907
900	862-868	865 x 267 x 380	HLCH 1894	₹21865

Swing Up Fitting

all components in white

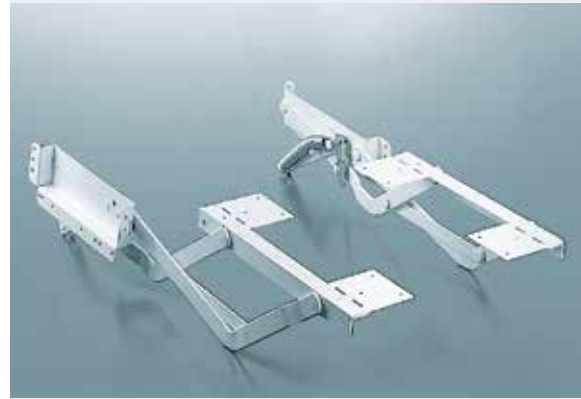
installation height

[mm] ≥

for any width

	SAP code	MRP
444	HLCH1895	₹14771

usable height: 280 mm
swing depth: 425 mm
Max. load capacity: 8 kg





MiO Applications

INDIVIDUAL, VERSATILE AND VARIABLE.

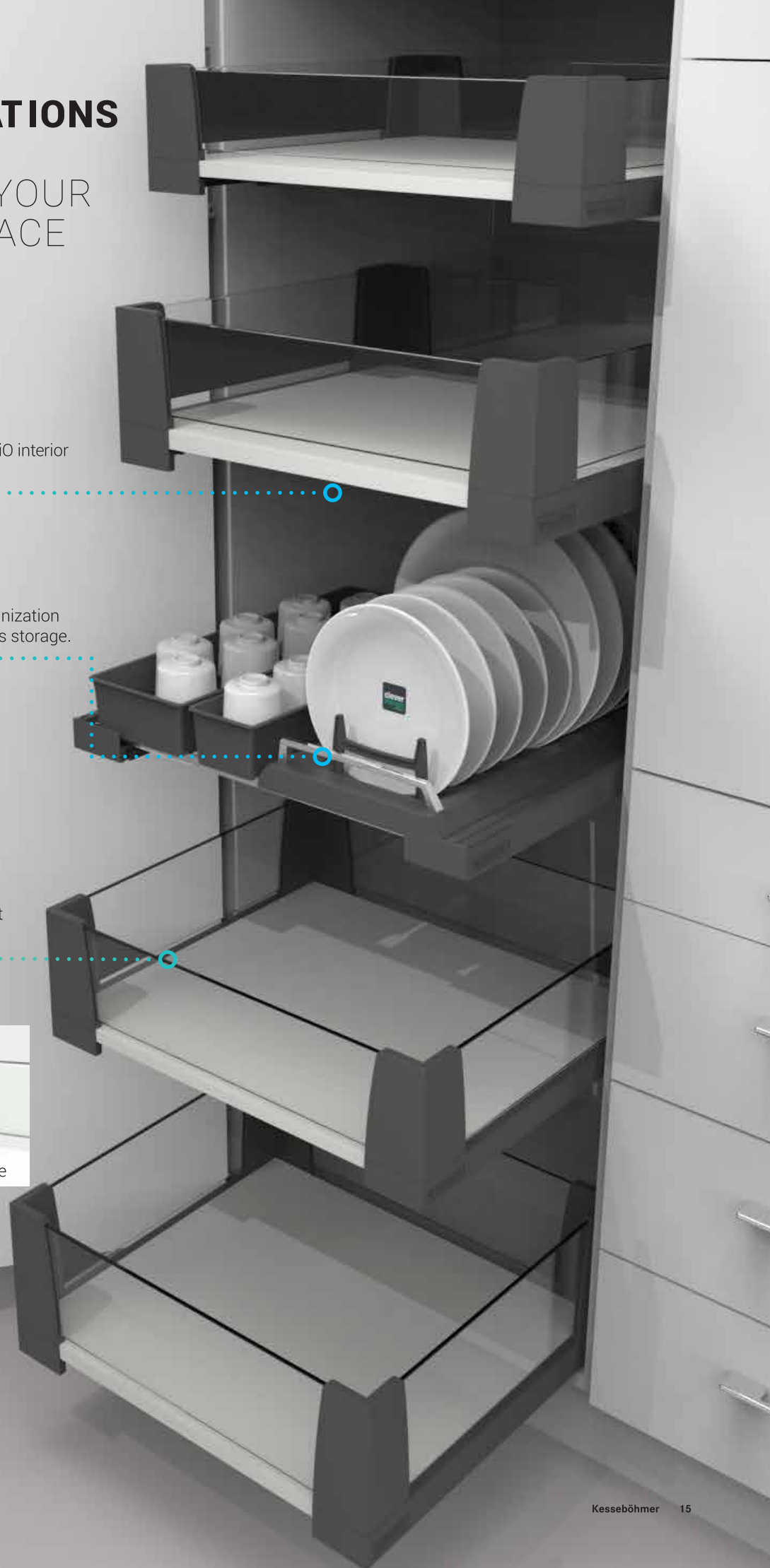
MiO APPLICATIONS

CUSTOMIZE YOUR STORAGE SPACE

Freely combinable with MiO interior and organization pullouts.

Individually compiled organization pullout for optimum dishes storage.

High-end look with glass panorama front and sides as standard.



MiO Applications



Anthracite



MiO Tall Unit Set 1 - 450 mm

		SAP codes	MRP
Cabinet width (mm)	450	HLCH1949	₹35442
Number of drawers	5		
Drawer height 98 mm	1		
Drawer height 129 mm	2		
Drawer height 167 mm	2		
Weight capacity (kg/drawer)	30		



MiO Tall Unit Set 2 - 600 mm

		SAP codes	MRP
Cabinet width (mm)	600	HLCH1896	₹35817
Number of drawers	5		
Drawer height 98 mm	1		
Drawer height 129 mm	2		
Drawer height 167 mm	2		
Weight capacity (kg/drawer)	30		

MiO Applications

MiO Half Tall 450

		SAP codes	MRP
Cabinet width (mm)	450	HLCH 1953	₹19591
Number of drawers	3		
Drawer height 2 x 129 mm	2		
Drawer height 1 x 167 mm	1		
Weight capacity (kg/drawer)	30		

MiO Half Tall 600

		SAP codes	MRP
Cabinet width (mm)	600	HLCH 1954	₹19591
Number of drawers	3		
Drawer height 2 x 129 mm	2		
Drawer height 1 x 67 mm	1		
Weight capacity (kg/drawer)	30		

MiO Half Tall 750

		SAP codes	MRP
Cabinet width (mm)	750	HLCH 1955	₹20457
Number of drawers	3		
Drawer height 2 x 129 mm	2		
Drawer height 1 x 167 mm	1		
Weight capacity (kg/drawer)	30		

MiO Half Tall 900

		SAP codes	MRP
Cabinet width (mm)	900	HLCH 1956	₹20457
Number of drawers	3		
Drawer height 2 x 129 mm	2		
Drawer height 1 x 167 mm	1		
Weight capacity (kg/drawer)	30		



FEATURES AND BENEFITS:

- For carcass widths of 450 and 600 mm
- Shelf element on door contributes to best utilization of space
- Refrigerator like access
- Rear trays come forward towards you
- Stores groceries of entire month
- Easy, height adjustment for the trays – no tools required
- Anti-Slip coating on trays

TANDEM TWO CUPBOARDS BEHIND A SINGLE DOOR

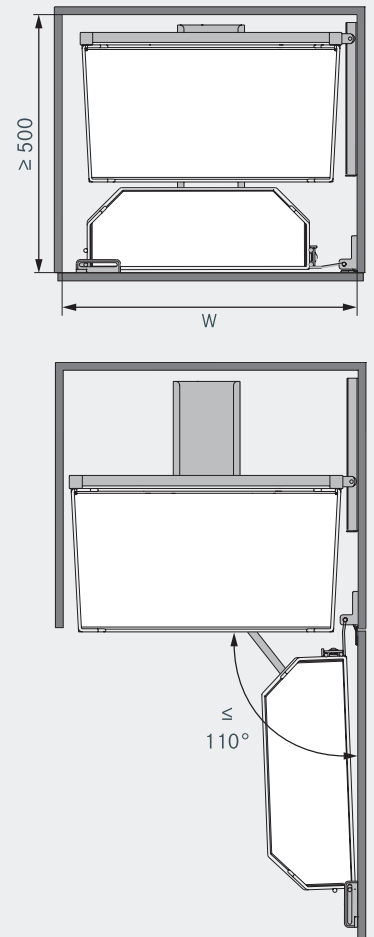
TANDEM splits cupboard contents into two easily accessible sections. The front section pulls out with the door, the rear section is automatically moved forward.

None-the-less, as many customers can't get enough of this ingenious system, it's possible to plan twice the system into one cabinet - Tandem Depot – in widths of 90 and 120 cm. Just as practical, yet twice as spacious and incomparably impressive!

Your Benefit:

- TANDEM depot – supermarket shelf-type storage at home
- Split storage – front + rear shelf units – for a better overview and more transparency
- Emotional movement sequences: The front (door) shelf swings open with the door; The rear shelf is automatically drawn forward
- Same frame for left and right installation – simplifies planning – independent of cabinet height
- Mature, reliable runner system

TANDEM – the exclusive storage solution



Set ARENA style

All components in Anthracite; trays ARENA style: gallery bright chrome, Anthracite with anti-slip coating

inside cabinet height (mm)	number of trays	inside cabinet width (W) ≥ 412 mm		inside cabinet width (W) ≥ 562 mm	
		SAP code	MRP	SAP code	MRP
≥ 1,700	each 6	HLCH1957	₹73939	HLCH1958	₹84983
	dimensions of trays (mm)	383x275x75		518x275x75	

Set components complete with runner, pull-out frame, trays and doorshelf (trays)

Incl. damping system SoftSTOPP

Max. load capacity rear shelf = 50 kg (60 kg)

Max. load capacity front shelf = 20 kg (25 kg)







EXTRA WORKING SPACE ON CALL: TopFlex.

KESSEBÖHMER

Tucked neatly away behind a drawer front, this sturdy, cantilevered pull-out table is ready to use whenever you need the extra working space. The two worktop sections pull outwards and upwards to create a highly practical table. And it disappears back into the base unit within seconds.

Worktop extension fitting TopFlex		
extended length (mm)	cabinet width (W)	MRP
	450–900 mm	
	SAP Code	
810	HILP5106	₹16069

Set components complete, excluding table panels cantilevered
Max. load capacity: 30 kg

- Applicable for inside cabinet width of 450–900 mm
- Inside cabinet depth = minimum 500 mm



Toll-free number
1800-2120-500

SLEEK INTERNATIONAL PVT. LTD.

enquiry@sleekworld.com | www.sleekworld.com

Copyrights reserved. Sleek International Pvt. Ltd. 01/2020

“All the information and contents on the booklet/website/brochure/catalogue are owned and exclusive property of Sleek International Pvt. Ltd. and protected under the Copyrights Act, 1957 and the Copyright Laws of all other countries worldwide under the Berne Convention. All rights are reserved and no part of this booklet/website/brochure/catalogue shall be reproduced, stored in a retrieval system or transmitted in any form or by any means – electronic, magnetic tape, mechanical, printing, photocopying, recording or otherwise including the right of translating in any language without the prior written consent of Sleek International Pvt. Ltd.”